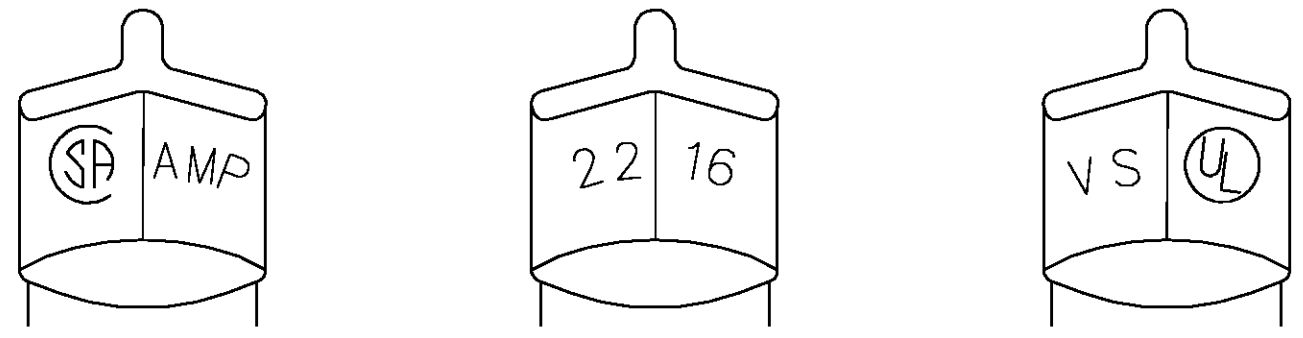


THIS DRAWING IS UNPUBLISHED. RELEASED FOR PUBLICATION  
 © COPYRIGHT BY TYCO ELECTRONICS CORPORATION. ALL RIGHTS RESERVED.

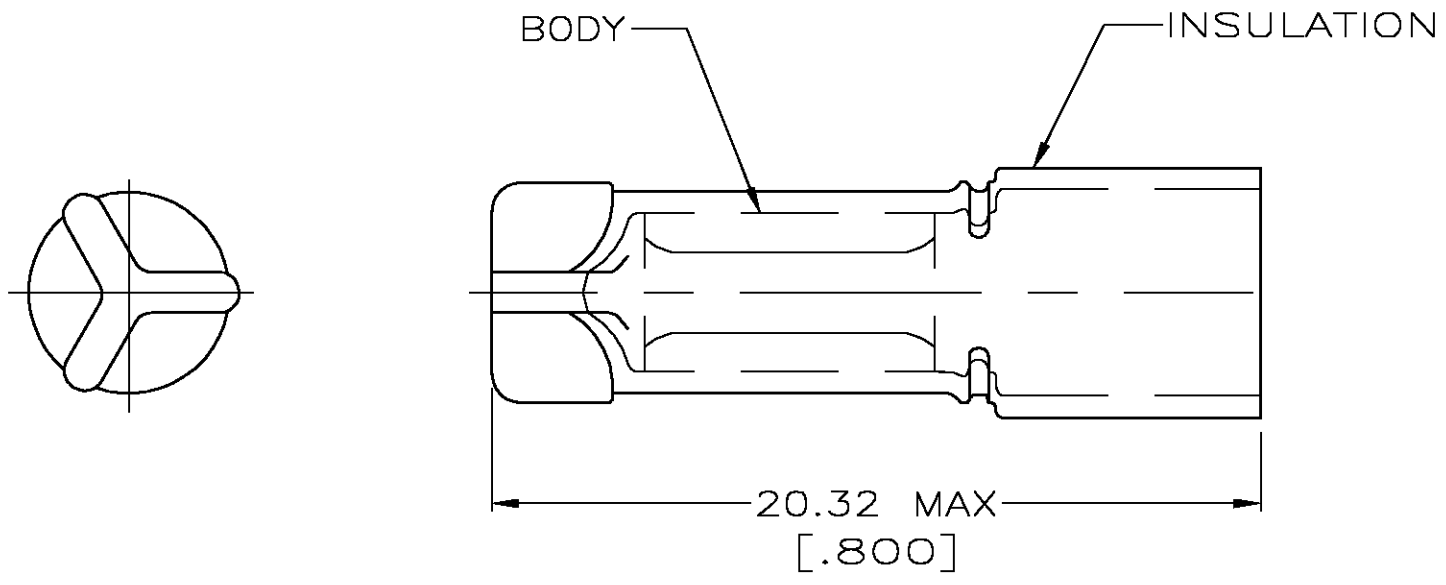
LOC	DIST	REVISIONS					
		P	LTR	DESCRIPTION	DATE	DWN	APVD
G	14		M	REV PER 0G3A-0256-04	13APR04	JR	TM



STAMPING DETAIL

- 1 FOR 5.46 [.215] MAX WIRE INSULATION DIA
- 2 MATERIAL: BODY; COPPER PER ASTM B152 INSULATION; PVC COLOR; BLUE
- 3 FINISH: BODY; TIN PLATE PER ASTM B-545

<b>AMP</b> WIRE RANGE	Listed	LR7189 Certified
22-14 AWG SOLID OR STRANDED	22-14 AWG SOLID OR STRANDED	22-14 AWG SOLID OR STRANDED



34864  
PART NO

<b>AMP INCORPORATED CUSTOMER SERVICE SYSTEMS</b>		<b>MAX RECOMMENDED OPERATING TEMPERATURE:</b> 90° C MAX	THIS DRAWING IS A CONTROLLED DOCUMENT.		DWN G KRUPER 12/92	<b>tyco</b> <b>Electronics</b> Tyco Electronics Corporation Harrisburg, Pa 17105-3608			
FOR ADDITIONAL PRODUCT INFORMATION OR COPIES OF DRAWINGS AND TECHNICAL DOCUMENTS	PRODUCT INFORMATION CENTER 1-800-522-6752	<b>VOLTAGE RATING:</b> 300V MAX	<b>DIMENSIONS:</b> INCHES	<b>TOLERANCES UNLESS OTHERWISE SPECIFIED:</b>	CHK R HERSEY 1/93	NAME SPLICE, WIRE, CLOSED END			
FOR APPLICATION TOOLING INFORMATION	TOOLING ASSISTANCE CENTER 1-800-722-1111	<b>CIRCULAR MIL AREA:</b> 1.65-2.47mm <sup>2</sup> [3248-4872] SOLID OR STRANDED		0 PLC ± - 1 PLC ± - 2 PLC ± 0.20 [.008] 3 PLC ± - 4 PLC ± - ANGLES ± -	APVD M ELLIS 1/93	APPLICATION SPEC			
FOR ORDER ENTRY	1-800-526-5142	THIS DRAWING IS A CONTROLLED DOCUMENT FOR AMP INCORPORATED. IT IS SUBJECT TO CHANGE AND THE CONTROLLING ENGINEERING ORGANIZATION SHOULD BE CONTACTED FOR THE LATEST REVISION.	MATERIAL	FINISH	PRODUCT SPEC	SIZE	CAGE CODE	DRAWING NO	RESTRICTED TO
				- 2	- 3	-	A3	00779	C-34864
CUSTOMER DRAWING					WEIGHT	SCALE 5:1		SHEET 1 OF 1	REV M